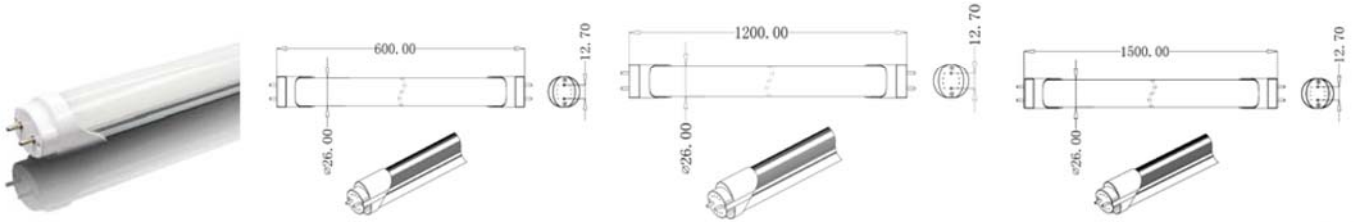


INTELLIGENT SENSOR LED TUBE

USER MANUAL

PRODUCTION INFORMATION



Parameter of LED microwave sensor T8 tube LED light

Type	MRT-08					
Length	600mm	1200mm	1200mm	1500mm	1500mm	1800mm
Movement power	9W	18W	20W	20W	25W	25W
Silence power (adjustable)	3.5W	5W	6W	6W	7.5W	7.5W
LED qty (SMD3528)	120pcs	270pcs	300pcs	300pcs	390pcs	390pcs
Lumens	>850lm	>1750lm	>1900lm	>1900lm	>2580lm	>2580lm
Sensor area	5-10m (adjustable)					
Sensor angle	180 degree					
Lighting last	20s (adjustable)					
React time	0.5s					
Working voltage	AC100-265V					
Lighting angle	120 degree					
CRI	>75Ra					
Color Temp.	3000-7500K(Warm White/Neutral White/Pure White/Cool White)					
Power factor	>0.92					
Lifespan	≥30000H					
Material	AL (good quality for heat dissipation) +PC					
Working Temp.	-20~+60°C					
Qty per box	25pcs	25pcs	25pcs	25pcs	25pcs	25pcs
Carton box size (mm)	650*210*215	1250*210*215	1250*210*215	1550*210*215	1550*210*215	1850*210*215
Net weight	8.5kgs	15.5kgs	15.5kgs	17.5kgs	18kgs	20.5kgs
Gross weight	9kgs	16.5kgs	16.5kgs	18.5kgs	19kgs	22kgs

INDUCTION PARAMETERS

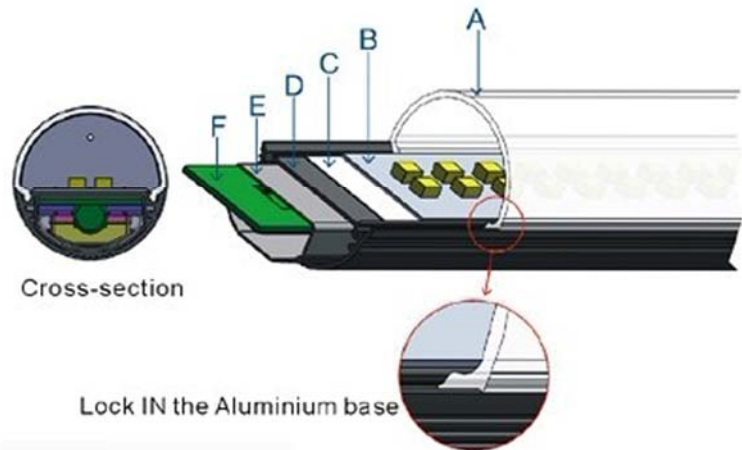
Dimming level: 20% Im
 Sensor angle: 360°
 HF system: 5.8GHz ISM wave band
 Transmission power: <0.5mW (1% of the transmission power of mobile phone.)
 Motion detection range: 0.5~3m/s (Installation height is 2.5~3m)
 Daylight sensor: 10lux
 Detection area 3-5m
 Time setting: 10s ON-DIMING, 30s DIMMING-OFF.

Note

- 1, Lamp only can detect movement of object bigger than 0.3m³.
- 2, Detection area means detection radii. Detection area is related to the motion speed, height and weight of object.

External Structure of LED sensor Microwave T8 tube sensor radar LED light

- A. PC cover
- B. PCB
- C. Silicone thermal pad
- D. D shaped Aluminium housing
- E. PC cover of power supply
- F. Built-in driver



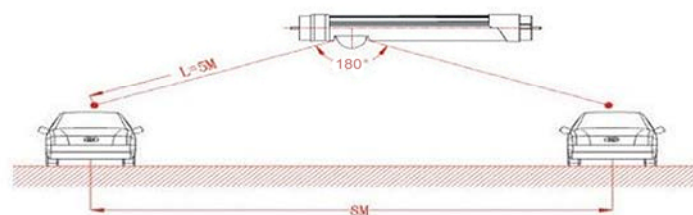
Application of Microwave sensor LED T8 tube LED light radar sensor

1. Underground parking lots
2. Washing room
3. Basement
4. Corridors
5. Warehouse
6. Passageway
7. Elevator
8. Bus stop and other all-day or 24hours long time continuous lighting areas.

Operation Principle;

It works if people enter into its detectable range. It saves the energy and ensures the safety. Let's take 1200mm infrared LED tube for example.

1. No cars (people): Using PIR sensor to control VOLUN LED motion sensor LED tube, everyone with intelligent control. It glimmers 4-6W when no car or people passes in or out. Not only meet the requirement of security monitoring lighting, but also save electricity in maximum limit which is 90% energy saving.
2. With cars (people): It fully lights when cars or people go through within its detectable range, the power changes to 18W which is very bright. The motion sensor LED tube will keep lighting if there are cars (people) activity in its inductive zone.
3. After cars or people leaving: it turns to dormant state again after 40-90s, the power changes to 4-6W again.



Induction sketch



100% brightness 18W

30% brightness 5W(adjustable)

WORK MODE

INITIALIZATION MODE

After connecting to mains and power on, lamp will light up for 10sec and then switch off. This is called 'Initialization Mode'.

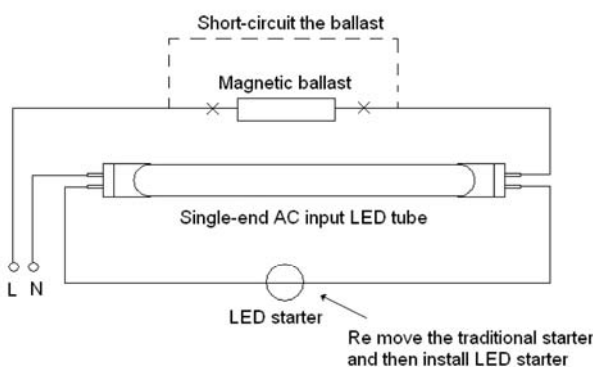
After initialization, if no motion in detection range, lamp will keep off. If any motion in detection area, it will work intelligently as description in normal mode.

NORMAL MODE

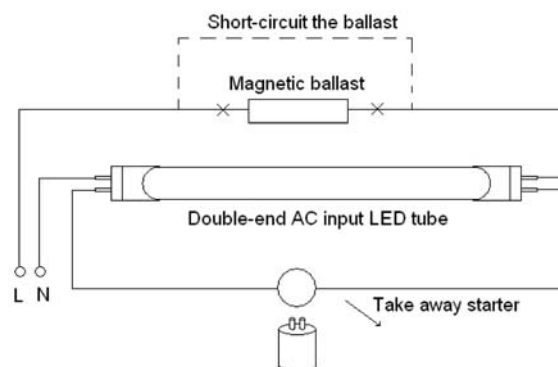


- A) Ambient illumination is larger than setting of daylight sensor. Lamp keeps off even if there is movement in detection area (See above note 3).
- B) Ambient illumination is below setting value of daytime sensor and movement is detected in detection area, lamp auto lights up 100%lm.
- C) No movement is detected beyond the hold time, lamp will dim to 20%lm and to wait a time.
- D) If any movement can be detected in wait time, lamp comes back to 100%lm again. If no movement beyond wait time, lamp auto turns off or keep on 20%lm (See above note 4).

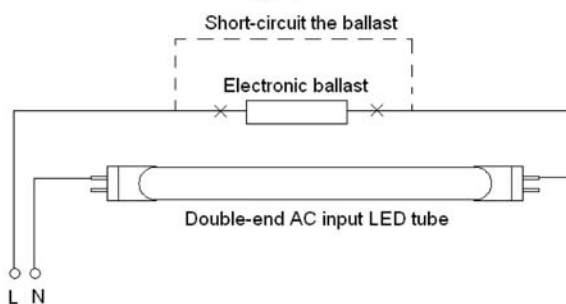
INSTALLATION



Pic 1



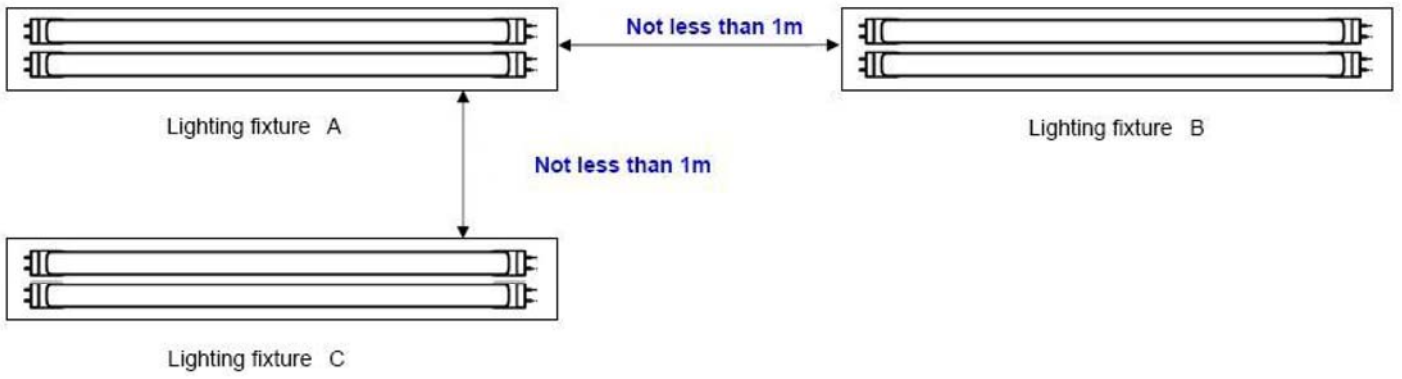
Pic 2



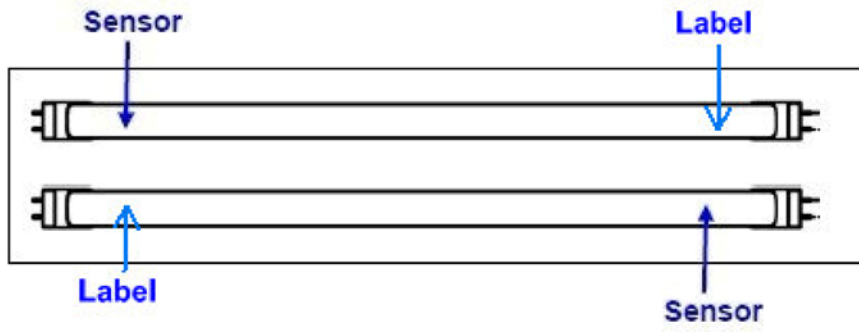
Pic 3

IMPORTANT

- A) Recommended installation height is 2.5~3m. To avoid interference each other, space between each lighting fixture must be larger than 1m (See pic 4), and the sensor built-in tube should be installed in opposite (See pic 5)
- B) Microwave can't go through metal, and can't go through brick wall if thickness larger than 20cm. It can go through thin wall, but will be attenuated.
- C) Installation behind a glass/ plastic will result in reduction of detection area. Approximately reduce by 20% with every 3mm thickness.
- D) It is not recommended to install the tube in glass cover. If for plastic cover, to get more excellent sensitivity, thickness of plastic cover should be less than 2.5mm.
- E) It is not recommended to install lamp in a small area smaller than 10m².



Pic 4



Pic 5

FAQ

Questions	Answers
Lamp is not on.	Mains switch off. Please turn on the power.
	Ambient illuminance around lamp is larger than illuminance threshold.
Lamp always on	Continuous movement in detection zone.
	Bulb is installed in a narrow area or closer to large metal, concrete wall and glass. Make sure suitable installation area and at least 30cm space between bulb and reflectors as above said.
Lamp does work despite motion	Speed of movements object is not located in 0.5~3m/s.
	Movement object is smaller than 0.3m ³ .



At the end of their useful life the packaging and product should be disposed of via a suitable recycling center. Do not dispose of with normal household waste.



merrytek

Shinningpc Technology Co.,LTD

Office Tel: +86-755-89484501

Mobile China: +86-13714846716

E-mail: sales@a-intelligentlight.com

www.a-intelligentlight.com

Skype: emincybob